

# PRODUCT INFORMATION PACKET

Model No: 080T17FH5331

Catalog No: R413

1 HP General Purpose, 3 phase, 1800 RPM, 575 V, 80M Frame, TEFC  
Aluminium TEFC Motors



Regal and Marathon are trademarks of Regal Beloit Corporation or one of its affiliated companies.  
©2019 Regal Beloit Corporation, All Rights Reserved. MC017097E

REGAL



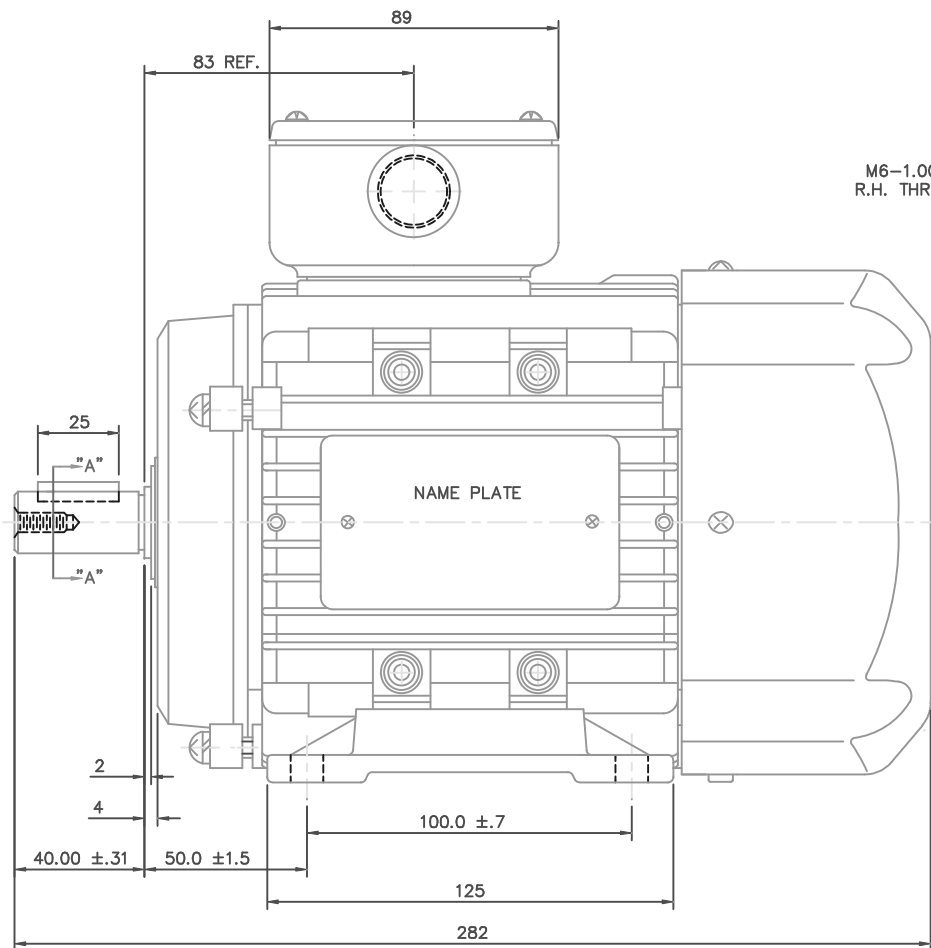
### Nameplate Specifications

Output HP	<b>1 Hp</b>	Output KW	<b>0.75 kW</b>
Frequency	<b>60 Hz</b>	Voltage	<b>575 V</b>
Current	<b>1.4 A</b>	Speed	<b>1725 rpm</b>
Service Factor	<b>1.15</b>	Phase	<b>3</b>
Efficiency	<b>73 %</b>	Power Factor	<b>80</b>
Duty	<b>Continuous</b>	Insulation Class	<b>F</b>
Design Code	<b>B</b>	KVA Code	<b>L</b>
Frame	<b>80M</b>	Enclosure	<b>Totally Enclosed Fan Cooled</b>
Thermal Protection	<b>No</b>	Ambient Temperature	<b>40 °C</b>
Drive End Bearing Size	<b>6204</b>	Opp Drive End Bearing Size	<b>6204</b>
UL	<b>Recognized</b>	CSA	<b>Y</b>
CE	<b>Y</b>	IP Code	<b>55</b>

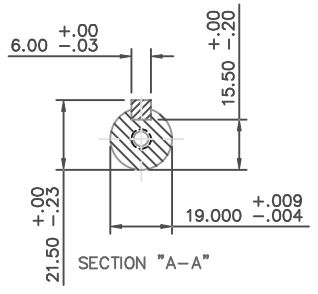
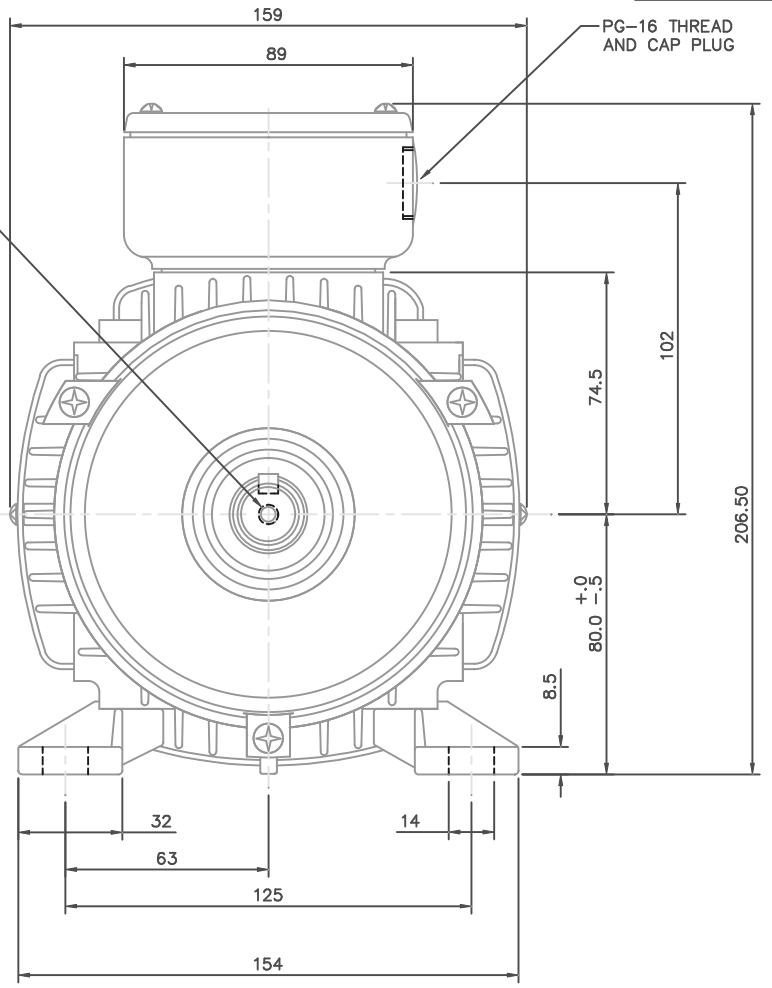
### Technical Specifications

Electrical Type	<b>Squirrel Cage Inverter Rated</b>	Starting Method	<b>Line Or Inverter</b>
Poles	<b>4</b>	Rotation	<b>Reversible</b>
Resistance Main	<b>19.9 Ohms</b>	Mounting	<b>Rigid Base</b>
Motor Orientation	<b>Horizontal</b>	Drive End Bearing	<b>Ball</b>
Opp Drive End Bearing	<b>Ball</b>	Frame Material	<b>Aluminum</b>
Shaft Type	<b>IEC</b>	Overall Length	<b>11.10 in</b>
Frame Length	<b>5.31 in</b>	Shaft Diameter	<b>0.750 in</b>
Shaft Extension	<b>1.57 in</b>	Assembly/Box Mounting	<b>F3</b>

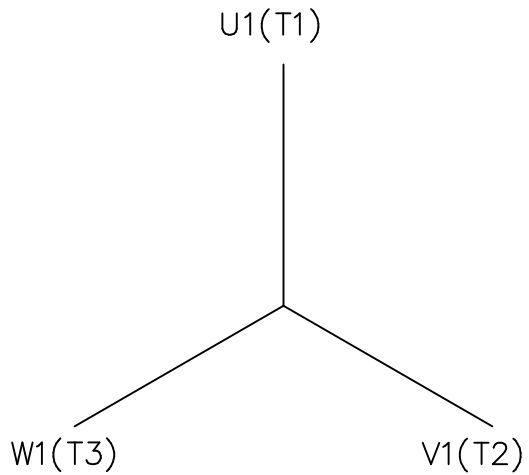
This is an uncontrolled document once printed or downloaded and is subject to change without notice. Date Created:01/11/2019



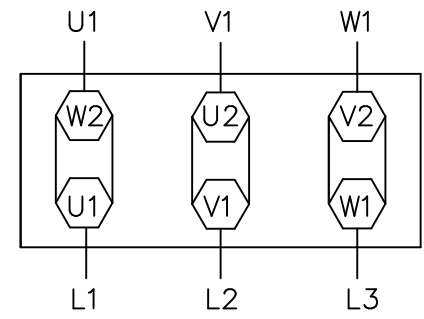
M6-1.00 x 16 DEEP  
R.H. THREADED SHAFT



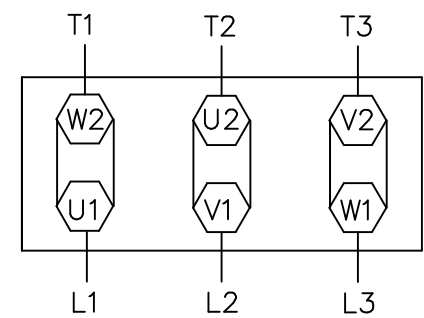
		TOLERANCES UNLESS SPECIFIED			DRAWN RDW 2/4/04
		DEC.	METRIC		CHK
		.X	±2.5		APPD SW 2/4/04
		.XX	±.76		SCALE 1=1.5
		.XXX	±.127		REF OSVC-300-552
		.XXXX	±.0127	MAT'L ALUMINUM	FMF
NO.	REVISION	BY & DATE	CHK ANG ±7'30"	FINISH	PREV
THIS DRAWING IN DESIGN AND DETAIL IS OUR PROPERTY AND MUST NOT BE USED EXCEPT IN CONNECTION WITH OUR WORK ALL RIGHTS OF DESIGN AND INVENTION ARE RESERVED THIS IS AN ELECTRONICALLY GENERATED DOCUMENT - DO NOT SCALE THIS PRINT				RFP CAD FILE 16986100ME	SIZE B
				DIST	DRAWING NO. 169861-00ME
					REV.



IEC MARKINGS



NEMA MARKINGS



TO REVERSE ROTATION  
INTERCHANGE ANY TWO  
LINE LEADS

		TOLERANCES UNLESS SPECIFIED	
		DEC.	INCHES
		.X	±.1
		.XX	±.01
		.XXX	±.005
		.XXXX	±.0005
NO.	REVISION	BY & DATE	CHK ANG ±1/2'



TITLE	EXTERNAL WIRING DIAGRAM TYPE "T" W/O PROT W/TERM. BLOCK
MAT'L.	
FINISH	

DRAWN	JGO 3/10/04
CHK	
APPD	
SCALE	3=4
REF	
FMF	
PREV	

THIS DRAWING IN DESIGN AND DETAIL IS OUR PROPERTY AND MUST NOT BE USED EXCEPT IN CONNECTION WITH OUR WORK ALL RIGHTS OF DESIGN AND INVENTION ARE RESERVED THIS IS AN ELECTRONICALLY GENERATED DOCUMENT - DO NOT SCALE THIS PRINT		RFP	CAD FILE	00546801ME	SIZE	DRAWING NO.	REV.
		DIST			A	005468-01ME	